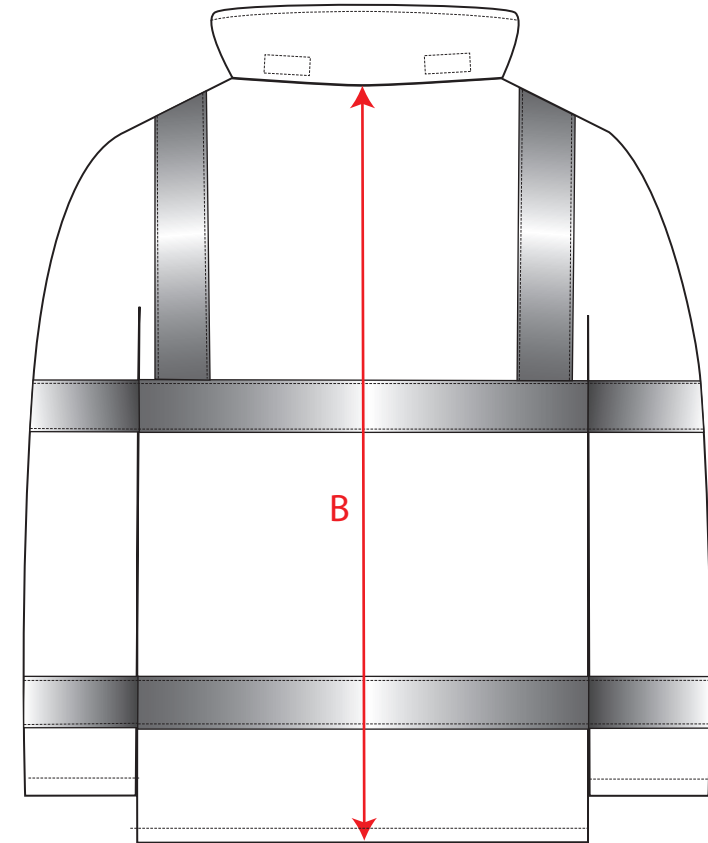
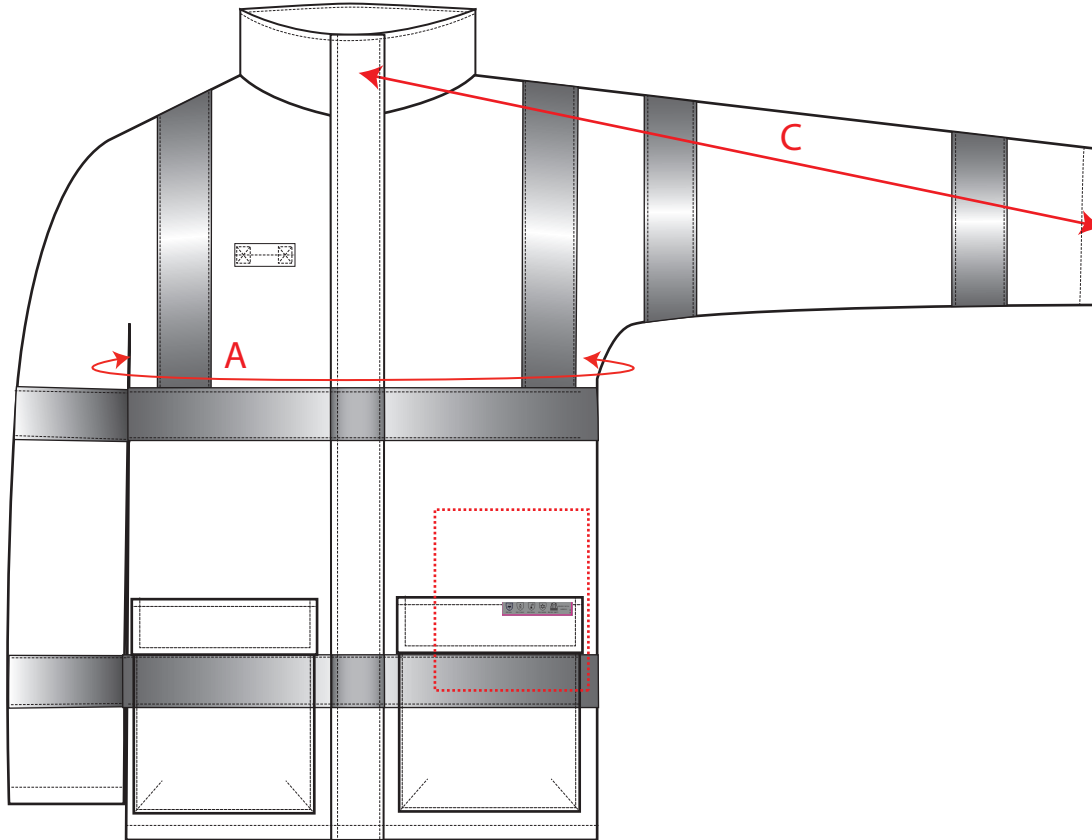


STYLE NO: S778

DESCRIPTION: Bizflame Rain Jacket to EN ISO 20471, EN 343, EN 1149-3, EN13034, EN ISO 14116, RIS 3279 & EN 14058

FABRIC: 98% Polyester, 2% Carbon fibre w/ Fluoro Carbon Finish 250g

COLOUR: Yellow,Orange



		XS	S	M	L	XL	XXL	3XL	4XL	5XL	6XL
Jacket Chest	A	110	118	126	134	142	150	158	166	178	190
Nape to Hem	B	80.5	81.5	82.5	83.5	84.5	85.5	86.5	87.5	88.5	89.5
Sleeve Length	C	88.5	90	91.5	93	94.5	96	97.5	98.5	99.5	100.5